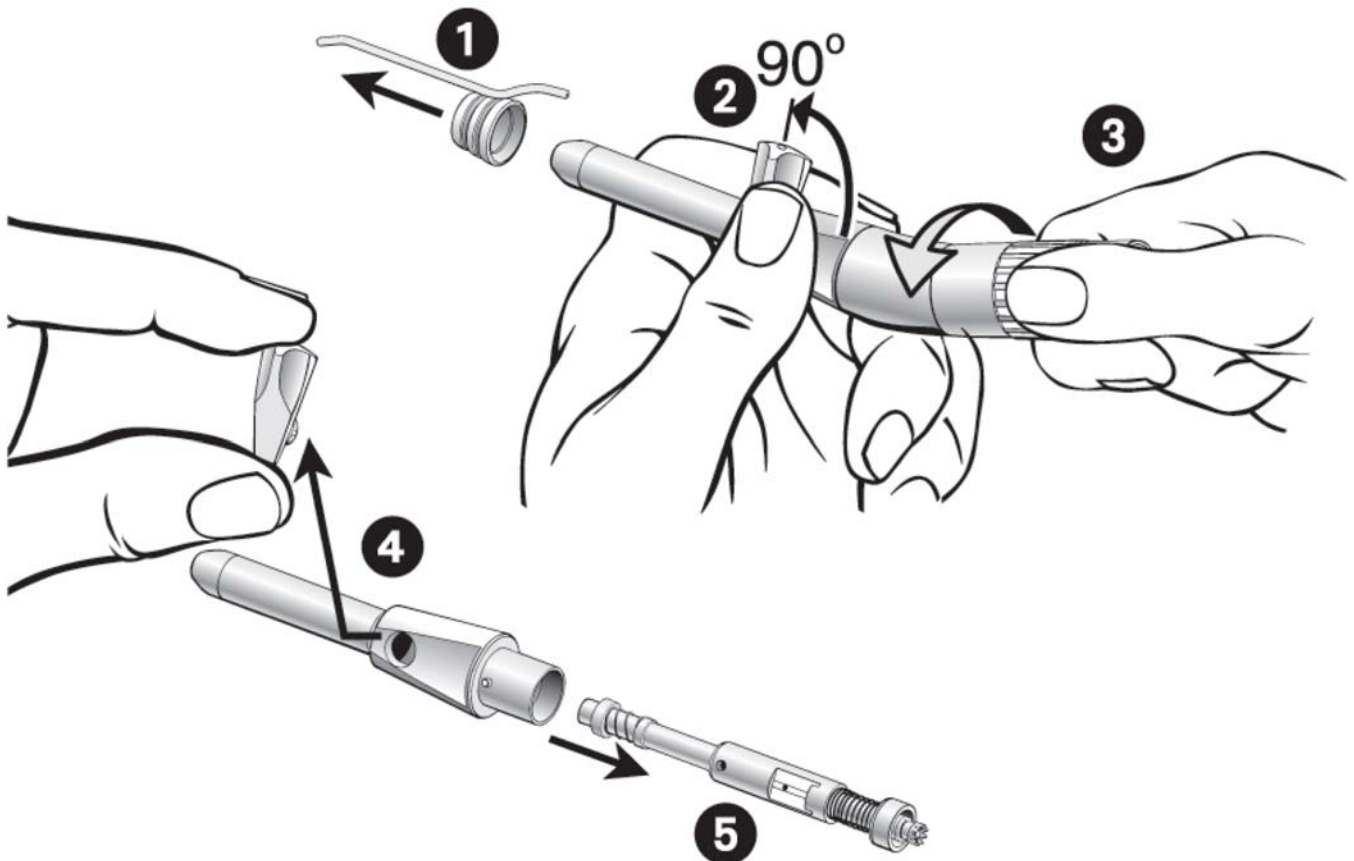




Disassembly of surgical instruments S-11 & SL-11

- Follow local guidelines regarding protective clothing and eyewear
- Clean instrument immediately after every surgical application
- These instructions are to be used in conjunction with our information sheet “Hygienic Maintenance & Sterilization Instructions” (Ref: UK/HHMSI/1109/5L)
- Remove the rotary implement
- Remove the instrument from the motor



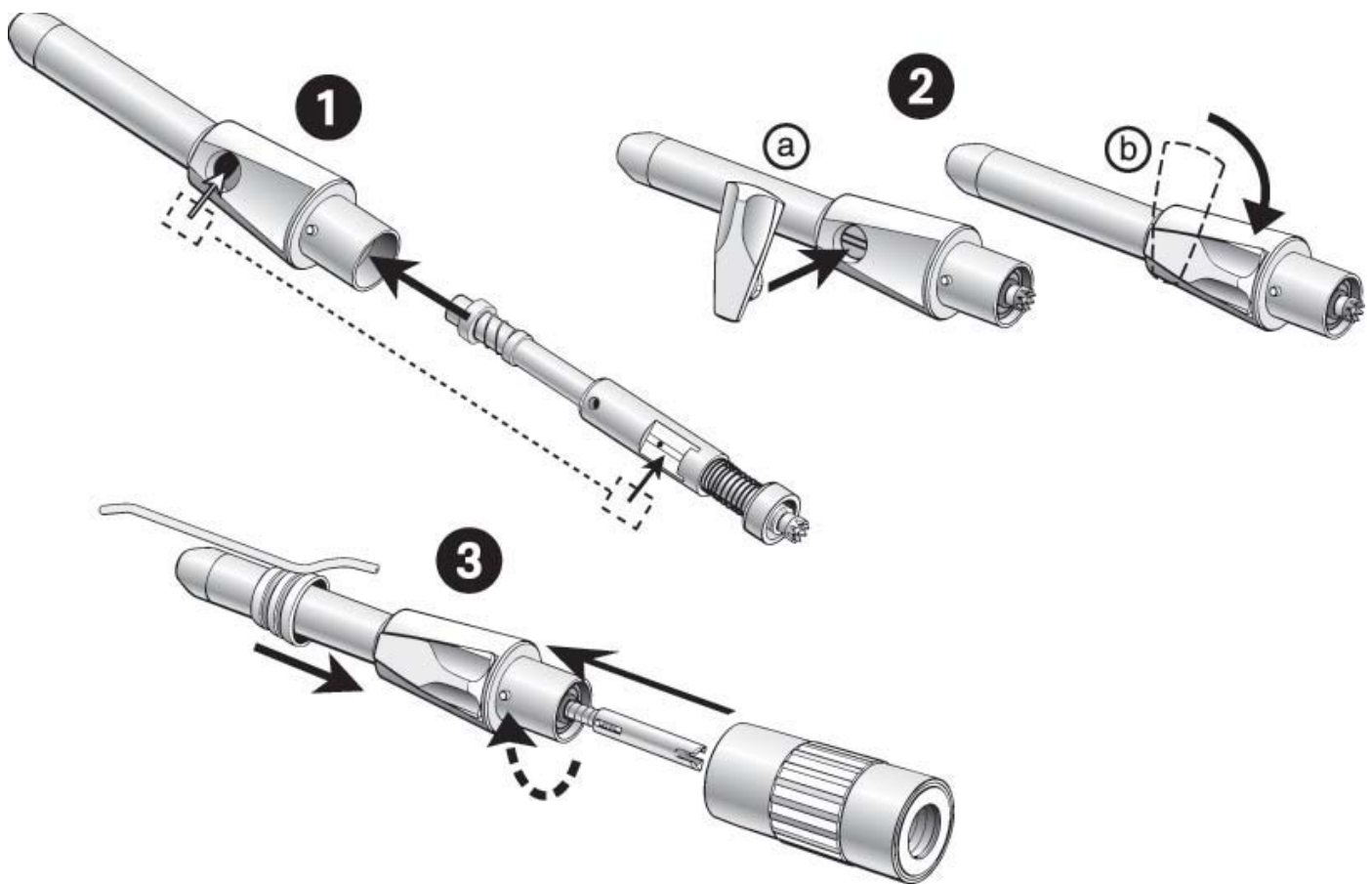
1. Remove the external spray supply tube from the instrument in the direction of the arrow.
2. Open the latch (either to left or right) to 90°.
3. Gripping the front section of the instrument in one hand, turn the rear section in the direction of the arrow until it clicks open and remove (bayonet fitting).
4. Remove the latch by pulling upwards (this can only be done once the rear body section has been removed).
5. The main shaft can then be pulled out from the front section.
6. Clean debris from around the top bearing & chucking system with a soft brush under running water.
7. Check the general condition of the instrument.

When disassembled, there should be 5 individual parts: front and rear body sections, locking latch, main shaft & spray supply tube.



Reassembly of surgical instruments S-11 & SL-11

- Follow local guidelines regarding protective clothing and eyewear.
- Following disinfection, cleaning, and reassembly, the instrument is ready for lubrication and sterilization. Use these instructions in conjunction with our information sheet "Hygienic Maintenance & Sterilization Instructions" (Ref: UK/HHMSI/1109/5L).



Before reassembly, ensure that all parts have identical serial numbers.

1. Insert the shaft into the front section of the instrument, ensuring that the flat locking surface is located in the latch opening.
2. Insert the latch into the latch housing and close the latch.
3. Attach the rear body section by pushing and twisting the bayonet fitting in the direction of the arrows.
4. Slide the external spray supply tube over the front section of the instrument.